

---

# D1081

## DSP Color Camera

### Operation Manual

---

Model D1081  
rev.# 00 March 28,2001 JLS

---

## Features

- ! 1/2" CCD with 410K pixels, produces image with horizontal resolution up to 470 TV lines.
- ! Backlight compensation ON/OFF switchable
- ! Provides video type Auto Iris connector
- ! Auto Exposure ON/OFF switchable
- ! Composite video and S-Video (YC) output
- ! Includes all necessary cabling and power supply
- ! MicroImage Support

---

## Unpacking

The MicroImage D1081 camera for NTSC and S-Video consists of:

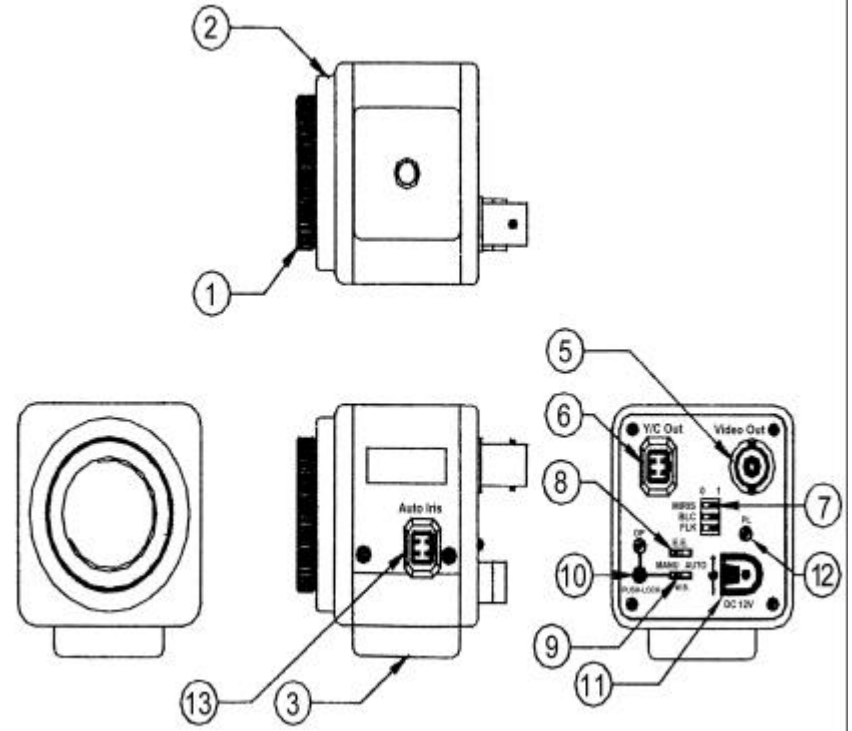
- MicroImage D108 camera module
- R48W120500-14/1 or equivalent Wall Plug power supply
- CAB11006 6 foot BNC cable
- CAB50506 6 foot S-Video Adapter Cable
- This instruction manual

Unpack all items carefully. Check each item against contents list above.

Inspect Unit to make sure that there is not any shipping damage. If there was shipping damage, Call MicroImage Video Systems Immediately. Do NOT plug unit in to power if damaged. Further destruction and/or injury may result.

## Precautions

1. Do not touch the surface of the image sensor.
2. Only use the specified power supply. Use of a power supply other than the specified power supply will damage the camera.
3. Do not attempt to aim the camera at the sun. Never attempt to aim the camera at the sun or other extremely bright objects that cause smear to appear irrespective of whether the cameras are operating or not. This can damage the CCD.
4. Do not place the camera in the following locations:
  1. Locations subjected to extremely high or low temperatures.
  2. Locations subjected to high levels of humidity and dust
  3. Locations where there are large amounts of water vapor and steam
  4. Locations subjected to excessive vibrations.
5. Do not allow the camera to be subjected to strong impacts or shocks.
6. If an abnormality occurs, **immediately turn off the power supply and consult your dealer.**



1	C Lens Mounting	2	C Mount fixing screw
3	Camera Bottom mounting thread	4	Intentionally Blank
5	BNC Holder for video output	6	4P MIN-JACK for Y/C output
7	Function select switch	8	E.E. manual/auto switch
9	White balance auto/manual select	10	MWB Push switch & indicator
11	DC Power input	12	Power on indicator
13	4P MIN-JACK for auto iris lens		

1. C Mount 5mm adapter ring
2. C Mount fixing screw (1.5mm Hex)  
This screw is used to lock the position of the C mount ring and adjust the back focus. Sometimes 'Back Focusing' for a lens is necessary to obtain a clear picture. This can be achieved by unscrewing the lens and rotate back and forth slightly. When focused correctly, tighten the screw to maintain its position.
3. Camera bottom mounting thread.  
This screw threaded mount allows for bottom mounting the camera on either a bracket or Pan-Tilt unit. Screw size is 1/4"-20.
4. Intentionally blank.
5. BNC Connector for video output  
A composite video signal is provided at this BNC connector.
6. 4P square Mini-Jack for S-Video output  
4 pin female connector supplies the S-Video signal.
7. Function selects 3P DIP-switch
  1. Mechanical auto iris mode and electronic iris mode switchable.
  2. BLC (backlight compensation) ON/OFF switchable
  3. Flickerless shutter switchable

8. E.E. manual and auto switch  
The switch is used to select E.E. mode (Auto Exposure) manual or auto.  
E.E. auto shutter speed is 1/60 sec. to 1/100,000 sec.  
E.E. manual shutter speed is changed on the function select DIP-switch.
9. White balance auto/manual select switch  
WB auto mode white balance range is approximately 3000-9000 degrees K  
WB manual mode white balance range is approximately 2500-10000 degrees K
10. Manual WB Push switch & indicator  
Press the Push-Lock switch and hold until white balance is complete.
11. DC Power input  
DC power input socket 12VDC
12. Power on indicator  
Red LED power indicator. When power is on, LED lights.
13. 4P square Mini-Jack for auto iris lens  
This 4 pin female connector supplies the power and either video signal or DC control signal to the auto iris lens.

E.E. Manual				E.E. Auto (Auto Exposure)		
SPEED	MIRIS	BLC	FLK	MIRIS	0	Electronic Iris
1/60	0	0	0		1	Mechanical Iris
1/100	0	0	1			
1/250	0	1	0	BLC	0	ON
1/500	0	1	1		1	OFF
1/1,000	1	0	0			
1/2,000	1	0	1	FLK	0	Disable
1/4,000	1	1	0		1	Enable
1/10,000	1	1	1			

---

## Technical Assistance

For Technical Assistance Contact:

**WORLD VIDEO SALES CO., INC.**

P.O. Box 331

Boyertown, PA 19512

Attention: Customer Service

Phone: (610) 754-6800

www.mivs.com

support@mivs.com

---

## Specifications

Horizontal Resolution	470 lines
Image Sensor	1/2" CCD, 768 (H) x 494 (V)
Scanning System	2:1 interlace, RS-170
Scanning Frequency	15.734 Khz (H), 59.94 Hz (V)
Chroma Frequency	3.579545 Mhz
Sync System	Internal
NTSC Output	1 Vpp composite video
S-Video (YC) Output	(Y) 1 Vpp, (C) 0.28 Vpp burst
Shutter System	Auto/Manual
Auto Shutter Range	1/60-1/100,000 sec.
Gain	AGC
Backlight Compensation	On/Off
White Balance	Auto or Pushbutton Manual
Auto White range	3000-9000 deg K
S/N Ratio	better than 50dB (AGC Off)
Minimum Illumination	0.5 Lux/F1.2 (5600 deg K)
Lens Mount	C-Mount
Connectors	
NTSC	BNC Female
YC Out	4 pin female square mini jack
Auto Iris	4 pin female square mini jack
Power	Coaxial 2.1mm female
Power Requirements	+12VDC +/- 10%
Operating Range	-10 ~ +50 deg C, 90% RH max
Dimensions	2" x 2" x 2.6"
	50.5mm x 50.5mm x 65mm
Weight	13 oz.

---

## Warranty

World Video Sales Co., Inc. warrants that each MicroImage D1081 camera system is free of defects due to faulty materials or improper workmanship. World Video Sales Co., Inc. further warrants that any part which proves defective in materials or workmanship within one year, will be replaced or repaired at no cost to the user. Labor to replace defective parts will be done without charge, provided the equipment is returned to World Video Sales Co., Inc. prepaid, insured and properly packaged. Prior return authorization must be obtained from World Video Sales Co., Inc.

### **NOTE**

This warranty covers the MicroImage D1081 camera and power supply only.

### **CONDITIONS**

This warranty is void if the warranted part has been altered or subjected to abuse or misuse. Defective parts must be returned to World Video Sales Co., Inc.

### **SOLE WARRANTY**

This Warranty is in lieu of all other warranties expressed or implied including, without limitation, any implied warranty or any implied warranty of fitness for a particular purpose. World Video Sales Co., Inc. shall have the final right to determination as to the existence and cause of any defect and its appropriate adjustment in accordance with the terms of this warranty. In no event shall World Video Sales Co., Inc. be liable for any consequential or collateral damages.

---

MicroImage Video Systems is a division of World Video Sales Co., Inc.

Please call for a RMA Number and shipping address on all repairs.

WORLD VIDEO SALES CO., INC.  
625 Hoffmansville Road, Suite 3  
Bechtelsville, PA 19505  
Attention: [RMA Number]  
Phone: (610) 754-6800

*Note: You MUST have an RMA number for returns & repairs*